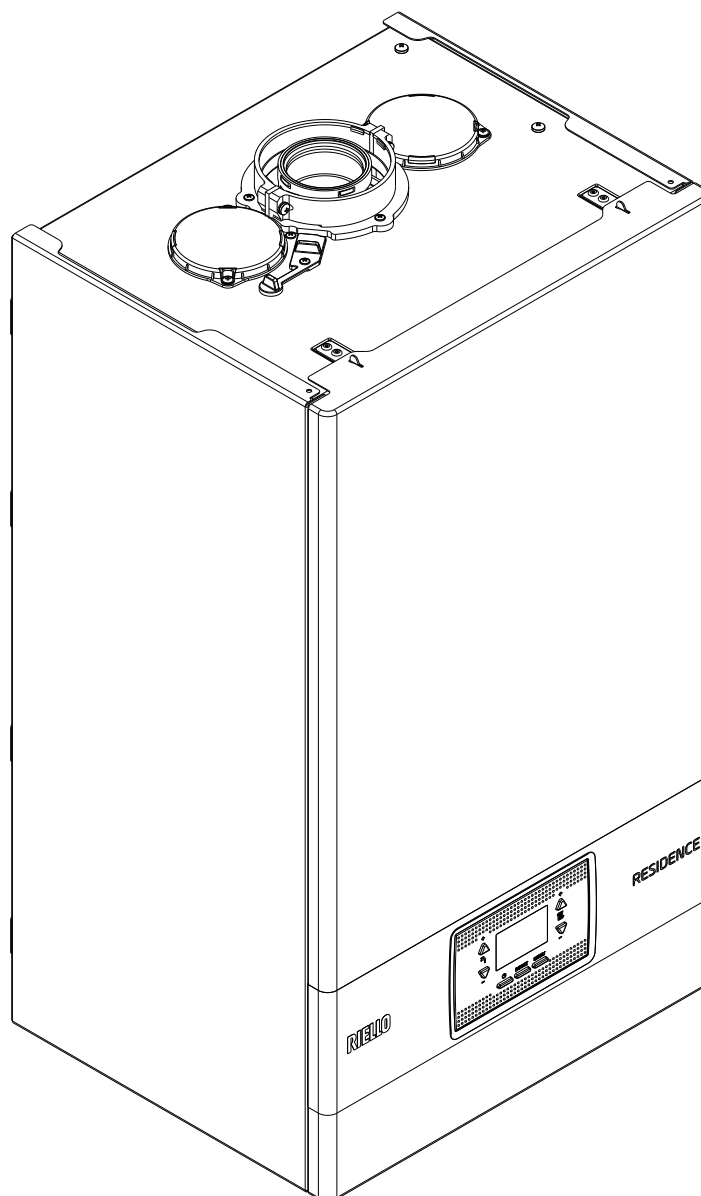
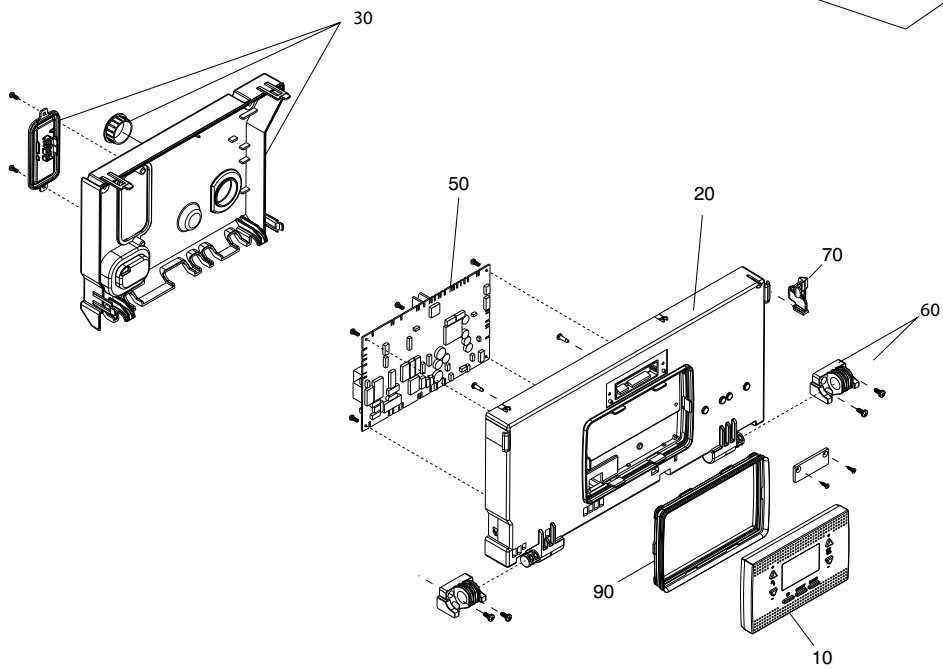
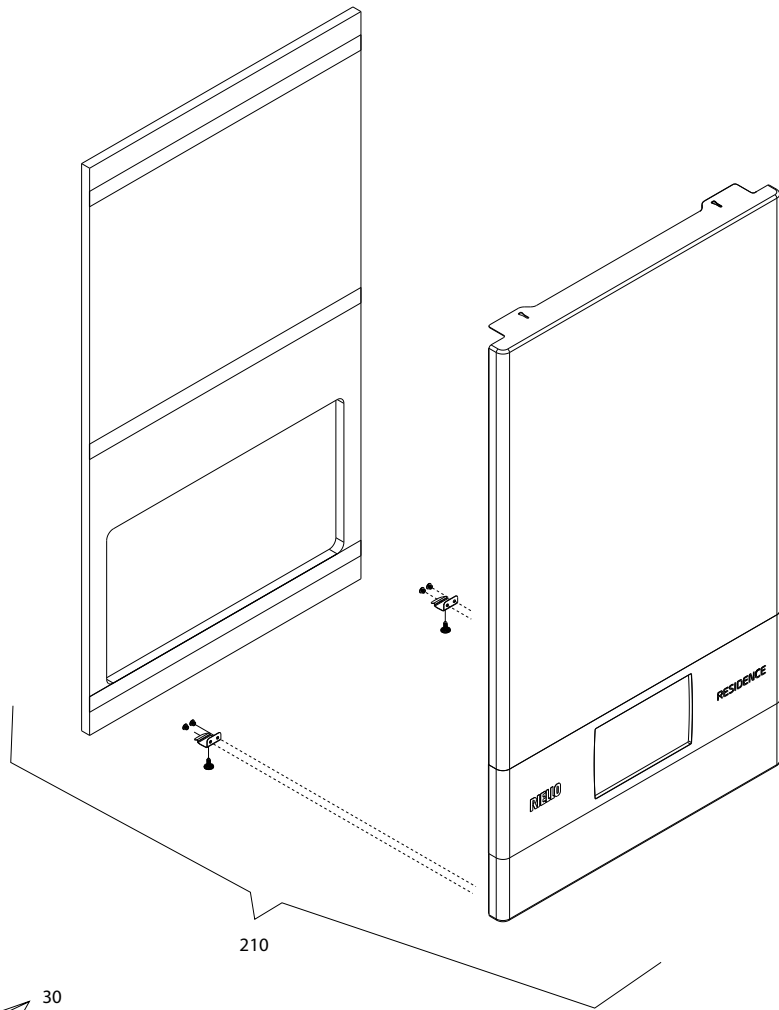


Wall hung boilers

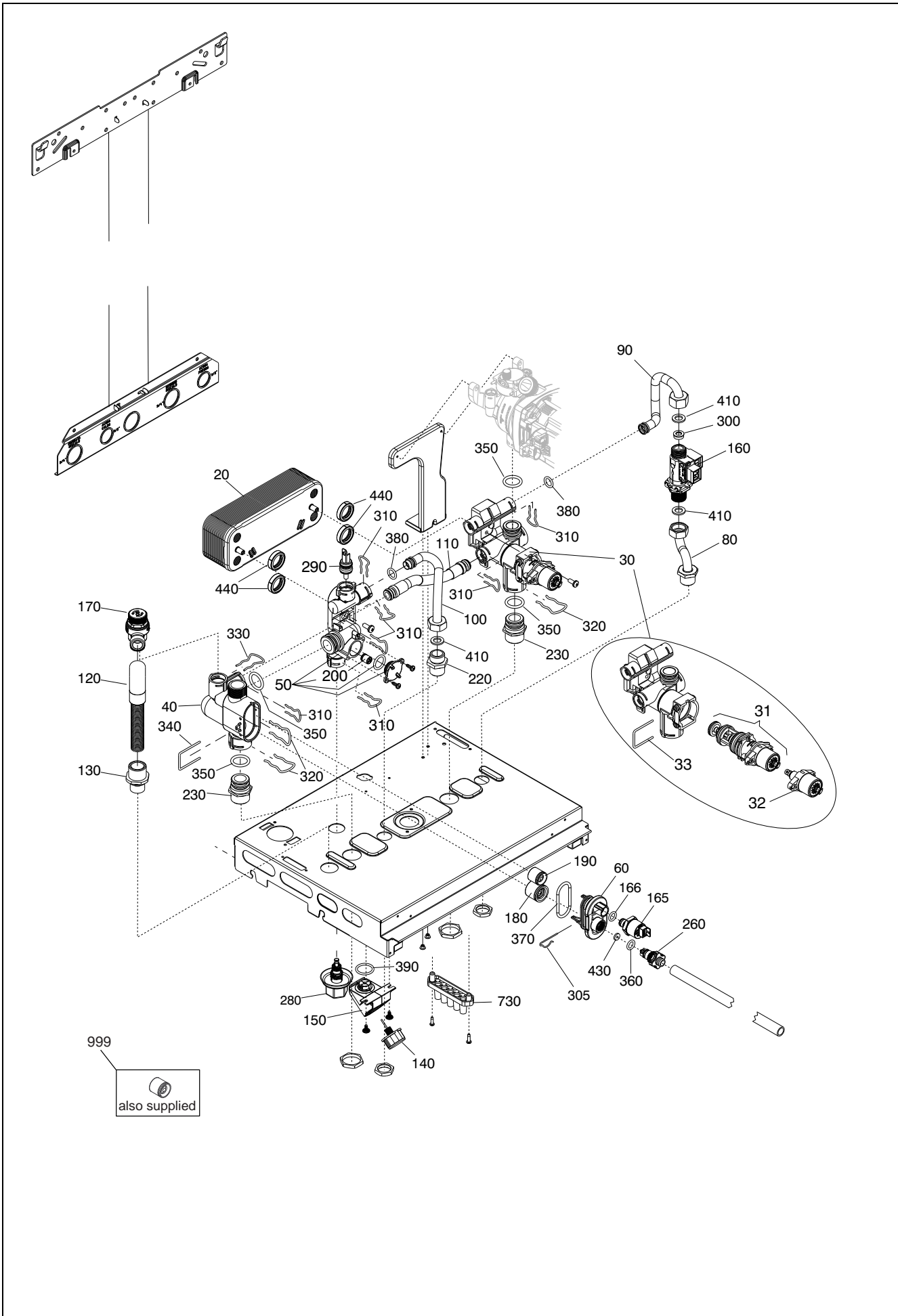
RESIDENCE



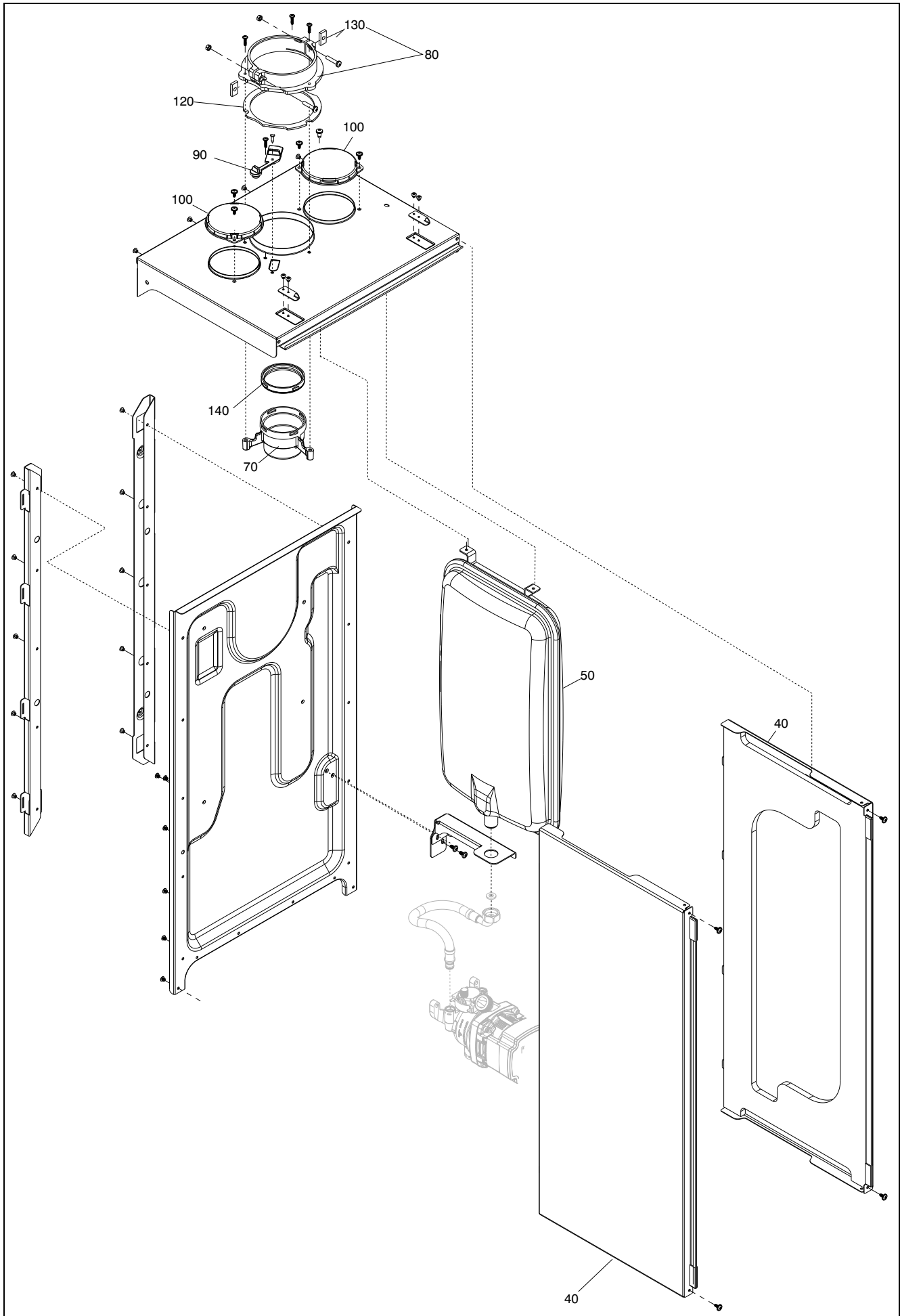
| MODEL | PART NUMBER | |
|------------------|-------------|-----|
| | MTN | GPL |
| Residence 30 KIS | 20148496 | - |



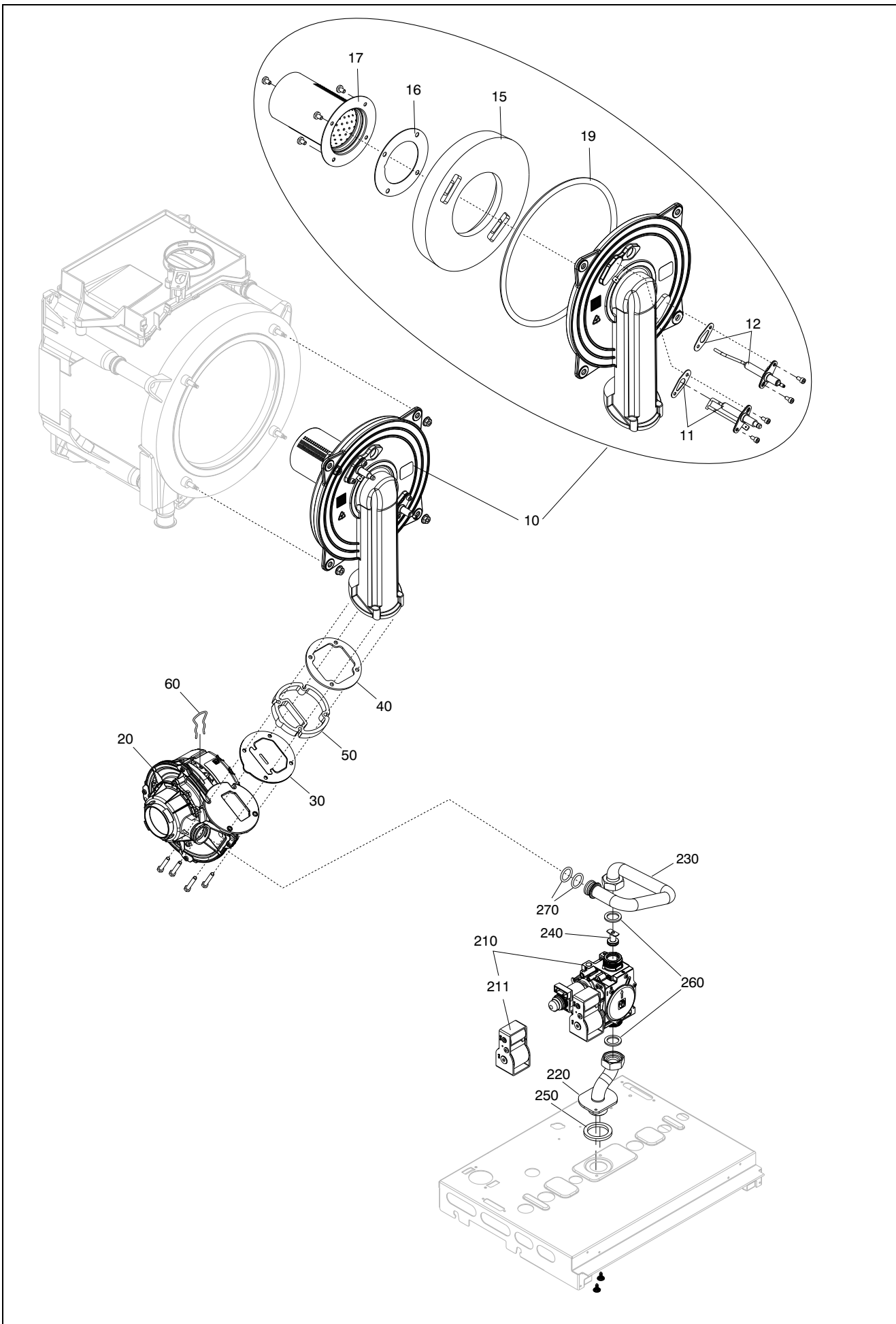
| POS. | DESCRIPTION | 30kis |
|------|-----------------------------|----------|
| 10 | User interface PCB | 4R106929 |
| 20 | Front control panel | 4R106919 |
| 30 | Electric parts cover | 4R105495 |
| 50 | Printed circuit board | 4R106767 |
| 60 | Rolling hinge | 4R105512 |
| 70 | Instrumental panel fastener | 4R105513 |
| 90 | Washer | 4R105461 |
| 210 | Front panel | 4R105766 |



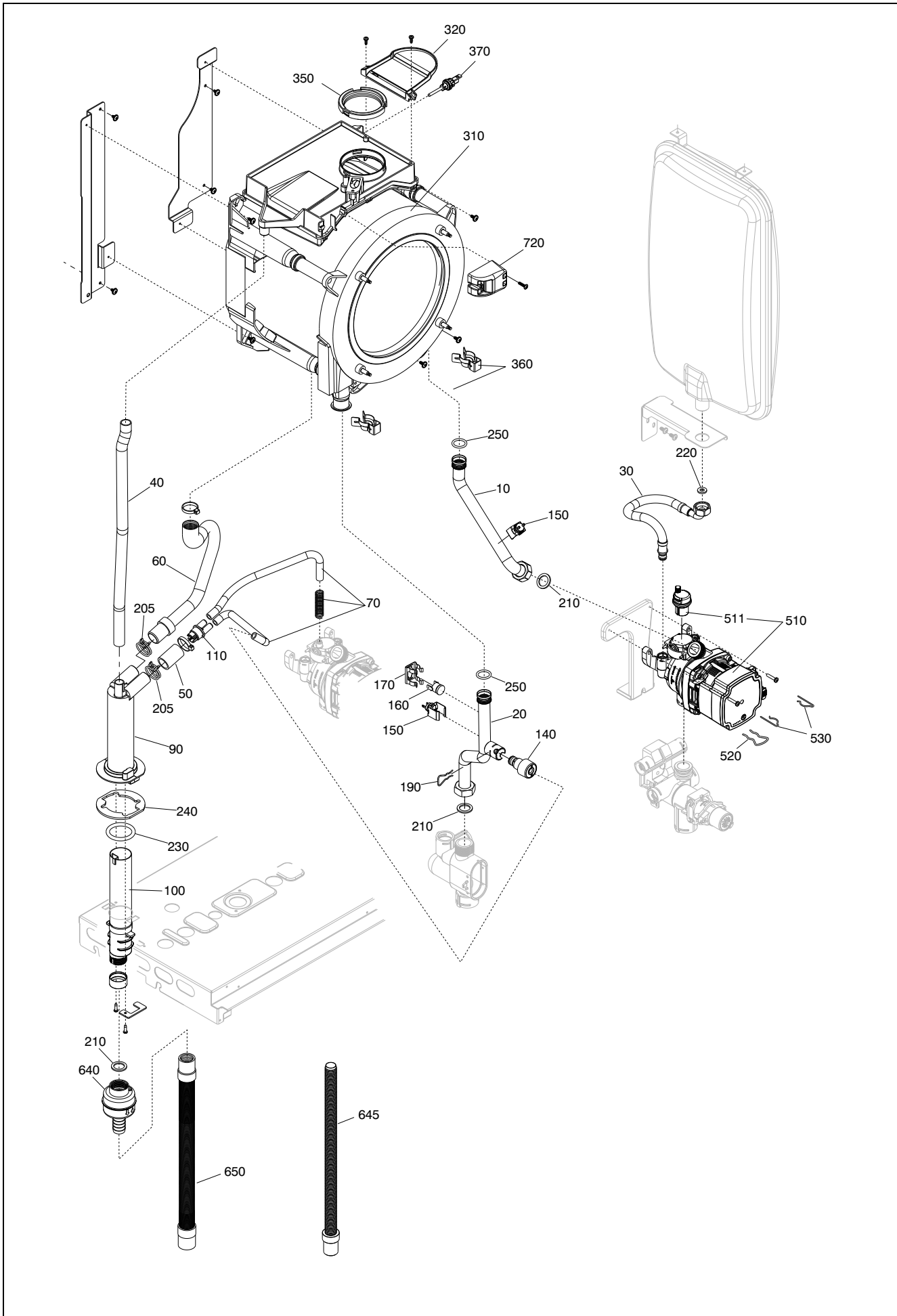
| POS. | DESCRIPTION | 30kis |
|------|--------------------------------|----------|
| 20 | Exchanger | 4365009 |
| 30 | Three-way valve | 4R105459 |
| 31 | Stepper actuator and cartridge | 4R105515 |
| 32 | Stepper actuator | 4R105516 |
| 33 | Clip | 4R105517 |
| 40 | By-pass casing | 4365750 |
| 50 | Filling joint | 4R104664 |
| 60 | Cover for by-pass assembly | 4365753 |
| 80 | Pipe | 4365736 |
| 90 | Pipe | 4365733 |
| 100 | Pipe | 4366917 |
| 110 | Pipe | 4365732 |
| 120 | Valve discharge pipe | 4R105462 |
| 130 | Manifold | 4R105487 |
| 140 | Quick primer pressure gauge | 4R105908 |
| 150 | Water gauge carrier | 4R105520 |
| 160 | Dhw actuator | 4R100477 |
| 165 | Pressure transducer | 4367069 |
| 166 | O-ring | 4364959 |
| 170 | Safety valve | 4R001077 |
| 180 | Non return valve | 4365749 |
| 190 | High head by-pass valve | 4365043 |
| 200 | Non return valve | 4366134 |
| 220 | Nipple | 4365762 |
| 230 | Fitting/union | 4365763 |
| 260 | Cock | 4365752 |
| 280 | Filling cock and washer | 4R106931 |
| 290 | NTC sensor | 4365765 |
| 300 | Flow governor | 4365824 |
| 305 | Clip | 4364751 |
| 310 | Clip | 4365761 |
| 320 | Clip | 4365623 |
| 330 | Clip | 4365764 |
| 340 | Clip | 4365768 |
| 350 | O-ring | 4364282 |
| 360 | O-ring | 4365770 |
| 370 | O-ring | 4365769 |
| 380 | O-ring | 4365766 |
| 390 | O-ring | 4365406 |
| 410 | Washer | 4363391 |
| 430 | Washer | 4365771 |
| 440 | Washer | 4365767 |
| 730 | Five positions fairlead | 4R105529 |
| 999 | Low head by-pass valve | 4366850 |



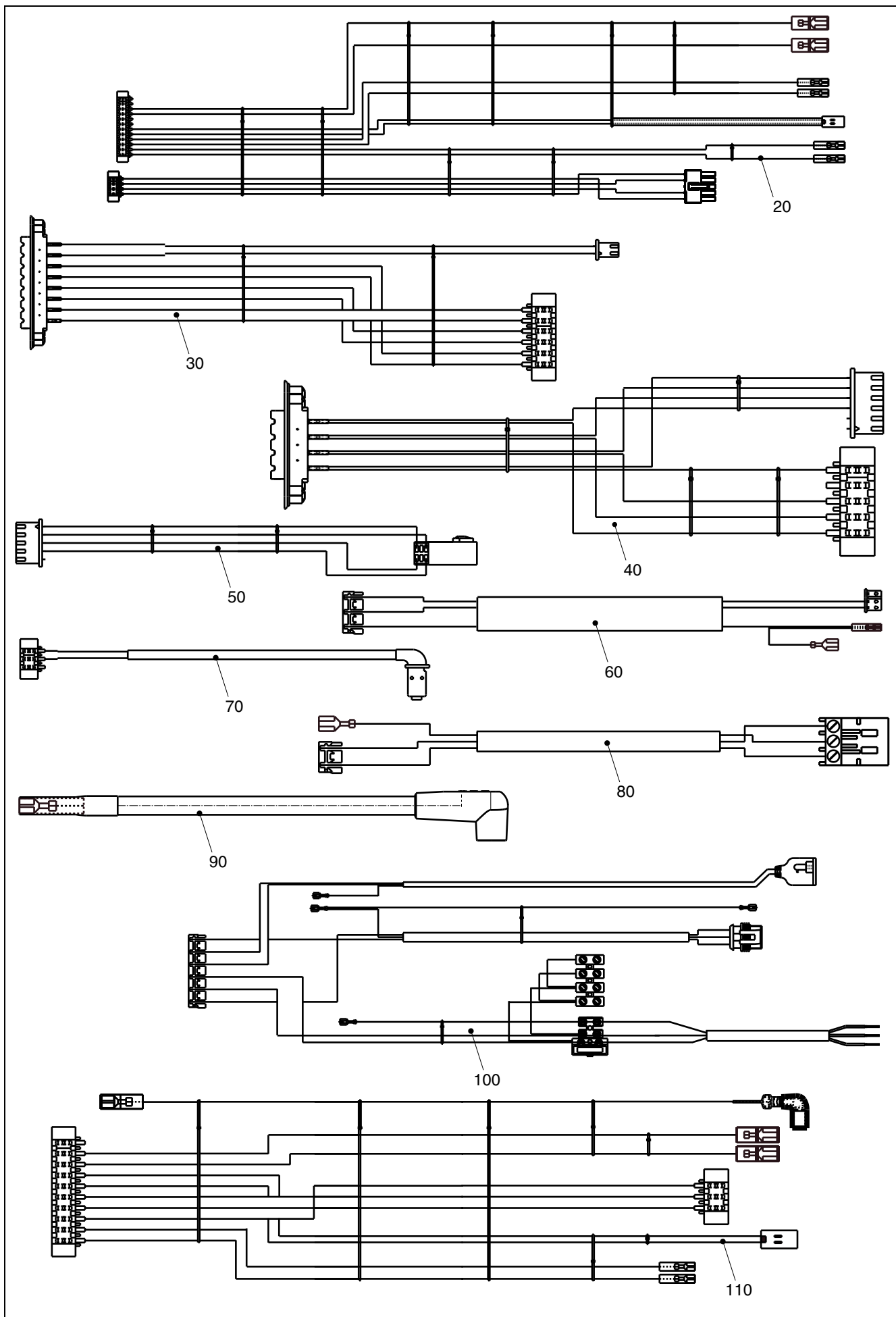
| POS. | DESCRIPTION | 30kis |
|------|-----------------------|----------|
| 40 | Side panel | 4R106938 |
| 50 | 9 lt. expansion tank | 4R105768 |
| 70 | Flue drain connection | 4365881 |
| 80 | Fumes flange | 4R105530 |
| 90 | Cap smoke analysis | 4R105531 |
| 100 | Hole cover | 4366888 |
| 120 | Flange gasket | 4R105532 |
| 130 | Flange gasket | 4R105533 |
| 140 | Washer Ø 60 | 4365889 |



| POS. | DESCRIPTION | 30kis |
|------|---------------------------|----------|
| 10 | Air/gas manifold | 4R105504 |
| 11 | Ignition electrode | 4R105488 |
| 12 | Sensing electrode | 4R105484 |
| 15 | Insulation panel | 4R105490 |
| 16 | Seal burner | 4R105492 |
| 17 | Premix burner | 4R105507 |
| 19 | Washer | 4R105485 |
| 20 | Integrated fan | 4R105505 |
| 30 | Non return valve | 4R105493 |
| 40 | Washer | 4R105483 |
| 50 | Spacer | 4R105491 |
| 60 | Clip | 4365764 |
| 210 | Antisticking gas valve | 4R105535 |
| 211 | Gas valve solenoid | 4R000824 |
| 220 | Pipe | 4R105460 |
| 230 | Pipe | 4R105501 |
| 240 | Ø 5.2 gas valve diaphragm | 4R106939 |
| 250 | Gasket | 4R105534 |
| 260 | Washer | 4363389 |
| 270 | Washer | 4367112 |



| POS. | DESCRIPTION | 30kis |
|------|---------------------------------|----------|
| 10 | Pipe | 4R105464 |
| 20 | Pipe | 4R105500 |
| 30 | Flexible pipe | 4R105470 |
| 40 | Condensation outlet tube | 4R105536 |
| 50 | Pipe | 4R105467 |
| 60 | Condensing pipe | 4R001150 |
| 70 | Tube kit | 4R105497 |
| 90 | Trap upper body | 4R105537 |
| 100 | Trap lower body | 4R105538 |
| 110 | Adapter siphon condensate drain | 4R105482 |
| 140 | Cock | 4366392 |
| 150 | NTC Detector | 4R101035 |
| 160 | High limit thermostat | 4366881 |
| 170 | Clip | 4363608 |
| 190 | Clip | 4366394 |
| 205 | Hose clamp | 4R106933 |
| 210 | Washer | 4363389 |
| 220 | Washer | 4363391 |
| 230 | O ring | 4R105539 |
| 240 | Trap gasket | 4R105540 |
| 250 | O ring | 4R106930 |
| 310 | Condensing exchanger | 4R105503 |
| 320 | Rain coat for exchanger | 4R105486 |
| 350 | Washer Ø 60 | 4366238 |
| 360 | Spring pipe | 4366958 |
| 370 | Flue sensor | 4R105463 |
| 510 | 6m. H3 pump | 4R105549 |
| 511 | Air vent bottle | 4365707 |
| 520 | Clip | 4365764 |
| 530 | Clip | 4364751 |
| 640 | Safety float | 4R105541 |
| 645 | Pipe | 4365759 |
| 650 | Condensation outlet tube | 4R102771 |
| 720 | Ignition transformer | 4366419 |



| POS. | DESCRIPTION | 30kis |
|------|-----------------------------------|----------|
| 20 | Combustion cable | 4R106932 |
| 30 | External utilities cable | 4R106935 |
| 40 | Bus wiring harness | 4R106934 |
| 50 | Three-way valve cable | 4R105476 |
| 60 | Flame wiring harness | 4R105475 |
| 70 | Pump cable (PWM) | 4R105542 |
| 80 | Fan wiring harness | 4R105474 |
| 90 | Ignition electrode wiring harness | 4R105472 |
| 100 | Power wiring harness | 4R105473 |
| 110 | Low tension cable | 4R106927 |

RIELLO

Riello reserve the right to change the specifications without prior notice.
Consumers' statutory rights are not affected.